

**PERMISSION TO PARTICIPATE IN TENDER**

- 1. REGISTERED AND INDEXED FIRMS MAY PARTICIPATE WITHOUT ANY FORMAL APPROVAL. OFFER MUST BE ACCOMPANIED WITH A CHALLAN FORM OF RS. 200/- (OBTAINABLE FROM STATE BANK OF PAKISTAN/ GOVERNMENT TREASURY) AND DEBIT ABLE TO MAJOR HEAD C02501-20, MAIN HEAD 12, SUB HEAD 'A' MISCELLANEOUS (CODE HEAD 1/845/30).**
  
- 2. UN-REGISTERED/ UN-INDEXED FIRMS SHOULD SEEK PRIOR APPROVAL FROM CONCERNED ADP FOR PARTICIPATION ON 5% ERNEST MONEY. OFFER MUST BE ACCOMPANIED WITH CHALLAN FORMS OF Rs. 200/- AND Rs. 2,000/- (OBTAINABLE FROM STATE BANK OF PAKISTAN/ GOVERNMENT TREASURY) AND DEBIT ABLE TO MAJOR HEAD C02501-20, MAIN HEAD 12, SUB HEAD 'A' MISCELLANEOUS (CODE HEAD 1/845/30).**
  
- 3. BARRED FIRMS ARE NOT ALLOWED TO PARTICIPATE.**

**INVITATION TO TENDER**  
**GENERAL INSTRUCTIONS TO TENDER**  
**CIP/F.O.B/DIRECT**

No **436306 /P-43**  
Directorate of Procurement (Air)  
Air Headquarters, Nur Khan,  
Chaklala Rawalpindi  
Tel: **+92-51-9281363**  
Fax: **+92+51-9271499**  
Dated: **23-10-2018**

M/s \_\_\_\_\_

**Invitation to Tender and General Instructions**

Dear Sir,

1. I invite you to tender for the supply of stores/ development/ repair/ overhaul/ training/ documents as per details indicated in the attached Schedule to Tender (Form DP-2).

2. **Conditions Governing Contracts.** This IT mean the agreement entered into between the parties i.e. the "Purchaser" and the 'Seller' on Directorate General Defence purchase (DGDP) contract Form "DP-19" in accordance with the law of contract Act, 1872 and those contained in DPP&I-35 (Revised 2017) and other special conditions that may be added to given contract for the supply of Defence Stores specified herein.

3. **Delivery of Tender.** The offer is to be submitted in duplicate as under:-

- a. **Technical Offer.** Should contain all relevant specifications in duplicate in an envelope and clearly marked "Technical Offer" without prices, tender number and date of opening. Both the "envelopes" of commercial and technical offers should be enclosed in one cover, properly sealed and bear the address of this office without any indication that there is tender within. Technical offer will be opened half an hour after the date and time for receipt of tender mentioned in DP-2.
- b. **Commercial Offer**
  - i. The offer will be in single and indicate prices quoted in figures as well in words along with essential literature/ brochure. It should be clearly marked in fact on the envelope "Commercial Offer", tender number and date of opening. Commercial offer of only those firms will be opened, whose technical offers are accepted by technical authorities. Date of opening of commercial offer would be intimated after receipt of technical scrutiny report from technical authorities. Commercial offer of technically rejected forms will be returned to the firms unopened.
  - ii. If the equipment/ system is quoted, the price of all major and optional components to be quoted separately. Conversion rate of FE/CL components will be considered w.e.f opening of commercial offer.
- c. The tender duly sealed will be addressed to the following:  
(Name of Officer receiving the tender) (Appointment/ designation of above officer) i.e

**ADP-43**  
**Directorate of Procurement (Air)**  
**Air Headquarters, Nur Khan (Chaklala)**  
**Rawalpindi. Pakistan**  
**Tel: +92-51-9281363**  
**Fax: +92-51-9271499**

**Special Instructions:** Tender documents and its conditions may please be read point by point and understood properly before quoting. All tender conditions should be responded clearly. In case of any deviation due to non-acceptance of tender conditions(s), the same should be highlighted along with your changed offer/ conditions outlined by Purchaser in this IT.

4. **Date and Time for Receipt of Tender.** Your tender must reach this office by the date and time specified in the Schedule to Tender (Form DP-2) attached. This Directorate will not accept any excuse of delay occurring in post. Tenders received after the appointed/ fixed time will NOT be entertained. The appointed time will, however, fall on next working day in case of closed/forced holiday.

5. **Validity of Offer**

- a. The validity period of quotations must be indicated and should invariably be 120 days from the date of opening of commercial offer or 30<sup>th</sup> June which ever is earlier.

- b. The quoting firm will certify that in case of an additional requirement of the contract items(s) in any qty(s) within a period of 12 months from the date of signing the contract, these will also be supplied (at the on going contract rates) with discount.
6. **Part Bid.** You may quote for the whole or any portion, or to state in the tender that the rate quoted, shall apply only if the entire quantity is taken from you. The Director Procurement reserves the right of accepting the whole or any part of the tender or portion of the quantity offered, and you shall supply these at the rate quoted.

**Note** This condition would be used very rarely except ration items.

7. **Return of IT/ With-drawl of Offer**

- a. In case you are Not quoting, please return the tender inquiry stating the reason of NOT quoting. In case of failure to return the ITs either quoted or not quoted consecutively on three occasions, this Directorate, in the interest of economy, will consider the exclusion of your firm's name from our future distribution list of invitation to tender.
- b. If the firm withdraws its offer within validity period the competent authority may place such firm under embargo for a period, which may be extended up to one year.

8. **Photocopies of documents.** Following information/ copy of documents must be provided/ attached with offer:-

- a. A copy of letter showing firm's financial capability.
- b. Registration/ renewal letter/ indexation/ additional indexation letter as applicable.
- c. Income tax No to be mentioned on the offer and copy of registration certificate issued by sales tax department.
- d. Foreign seller has to provide its registration Number issued by respective Department of Commerce authorizing export of subject stores.
- e. Principal/ Agency Agreement. (In case of FOB contracts)

9. **Disqualification.** Offers are liable to be rejected if:-

- a. Taxes and duties, freight/ transportation and insurance charges NOT indicated separately.
- b. There is any deviation from the General/ Special/ Technical Instructions.
- c. Offers are found conditional or incomplete in any respect.
- d. Treasury Challan is NOT attached with the offer.
- e. Form DP-3 duly signed, is NOT received with the offers.
- f. Multiple rates are quoted against one items.
- g. Manufacture's relevant original brochures and technical details on major equipment assemblies are not attached in support of specification.
- h. Received later than appointed/ fixed date and time.
- j. Subject to restriction of export license.
- k. If the validity of the agency agreement is expired.
- l. The commercial offer against FOB/ CIF/ C&F tender quoted in local currency and vice versa.
- m. Principals invoice in duplicate clearly indicating whether prices, quoted are inclusive or exclusive of the agent commission is not enclosed.
- n. Earnest money not provided where applicable.
- o. If validity of offer is not quoted as required on IT or made subject to confirmation later.
- p. Offer made through Fax/ E-mail/ Cable/ Telex.
- q. If your offer is found to be based on cartel action in connivance with other sources/ participants of the tender.
- r. Un-called offer/ quotations will be rejected.

10. **Earnest Money/ Tender Bond:-** Your tender must be accompanied by a Bank Draft in favour of CMA (DP), Rawalpindi for the following amount:-

- a. **Registered/Indexed Firms:** Earnest money is not required, the firms those are registered/indexed with DGDP for the tendered store..
- b. **Registered but Un-indexed Firms:** 3% of the quoted value subject to maximum ceiling of Rs 0.750 Million.
- c. **Un-registered/ Un-indexed Firms:** 5% of the quoted value subject to maximum ceiling of Rs 1.000 Million.

**Note:**

In case of firm wins a contract on EM, it will deposit following documents for provisional Regn before the award of contracts:-

S. No	Local Supplier	Foreign Supplier
i)	Three filled copies of SVA-8121 of each member of management	Three filled copies of SVA-8121-D of each member of management
ii)	Three filled copies of SVA-8121-A	Three filled copies of SVA-8121
iii)	Three photocopies of NIC for each member of management	Three photocopy of Resident Card or equivalent identification Card for each member of management
iv)	Three PP size photographs for each member of management	Thee PP size photographs for each member of management
v)	Challan Form (*)	Challan Form (*)
vi)	Bank Statement for last one year	Financial standing/audit balance sheet
vii)	Photocopy of NTN	Photocopy of passport
viii)	Foreign Principal Agency Agreement in case of local agent	Agency Agreement in case of Trading House/Company/Exporter/Stockiest etc.

d. **Return of Earnest Money**

- (1) Earnest money to the unsuccessful bidders will be returned on finalization of the contract.
- (2) Earnest money of the firm/ firms with whom contract is concluded will be returned on submission of Bank Guarantee stipulated in the contract.

11. **Treasury Challan**

- a. Offers must be accompanied with a challan form of Rs. 200/- (obtainable from State Bank of Pakistan/ Government Treasury) and debit able to **Major Head C02501-20, Main Head 12, Sub Head 'A' Miscellaneous (Code Head 1/845/30)**. Each offer will be covered by one challan.
- b. In case of un-registered firms, whether they have applied for registration or not, will pay tender inquiry fee (Challan Form) at following rates:-
  - (1) Bid for value upto. Rs 2, 50,000/- Rs 1,000/-
  - (2) Bid for value from Rs. 2, 50,000/- to Rs 50, 00,000/- Rs 1,500/-
  - (3) Bid for value above Rs 50, 00,000/- Rs 2,000/-

**Note:- Offer of Un Registered firms will be considered with 5% EM {Subject to approval of DP (Air)}.**

12. **Rights Reserved.** Respective procurement agency reserves full rights to accept or reject any or all offers including the lowest, after assigning grounds for its rejection and upon request, the grounds of rejection shall be communicated to supplier / contractor, who submit the offer

13. **Application of Official Secret Acts.** All the matters connected with this enquiry and subsequent actions arising there from come within the scope of the Official Secret Act 1923. You are, therefore, requested to ensure complete secrecy regarding documents and stores concerned with the enquiry and to limit the number of your employees having access to this information.

14. **FORM DP-2, DP-3 and Questionnaires.** Form DP-2, DP-3 and Questionnaires duly filled in are to be returned with the offer duly signed by the authorized signatory/ person.

15. **Copy of DPP&I-35 Revised 2017.** Copies of DPP&I-35 revised 2017 are available with Registration Section DGDP and the same be obtained by the Supplier on payment at the rate of Rs 250/- each.

16. **Acknowledgement.** If applicable, firms will send acknowledgement slips within 07 days form the date of receipt of IT. In case IT is not received by a registered firm within 10 days IT published in the Bulletin, the firm must ask for it from ADP-43 DP(Air) in writing with intimation to Registration Section (DGDP).

17. **Appeal against rejection of Bid.** Bidder aggrieved by technical rejection of their offers may forward their appeal to Grievance Redressed Committee constituted at DP (Air). All such appeals be forwarded in writing within 15 days of technical rejection. Complaints received after 15 days would not be entertained.

18. **Tender Opening:** Technical offer shall be opened at least thirty minutes after the deadline for submission of bids on same day. Commercial offers will be opened at later stage if Technical Offers is found acceptable on examination by technical authorities of Service HQ. Date and time for opening of Commercial offer shall be intimated later. Only legitimate / registered representatives of firm will be allowed to attend the tender opening.

19. **Reservations/Preference:-** Supplier/contractors intending to avail any reservations for preferences like Price Preference, First Right of refusal, Intellectual Property Rights or any other in accordance with the

policy of the Federal Govt, authority or SRO are to intimate DP (Air) at least 07 days in advance of tender submission date alongwith supporting documents and are to clearly mention such reservation/preference in Tender Technical & Commercial proposals.



**(ASAD UR RAHMAN)**  
Squadron Leader  
ADP-43  
E-mail: adp43@paf.gov.pk

**Enclosures:-**

1. Matrix Proforma
2. DP-2, Part-I
3. Appendix-I to DP-2, Part-I (Schedule of Tender)
4. Appendix-II to DP-2, Part-I (Technical Specs)
5. DP-2, Part-II
6. Appendix-I to DP-2, Part-II
7. Appendix-II to DP-2, Part-II
8. Appendix-III to DP-2, Part-II
9. Appendix-IV to DP-2, Part-II
10. Appendix-V to DP-2, Part-II
11. DP-2, Part-III
12. DP-3

**MATRIX PROFORMA**  
**FOREIGN CURRENCY TENDER**

**Notes:** 1. This mandatory Proforma is to be filled and attached with technical offer. Non-filling / incomplete filling may result in outright rejection of offer.

2. Please fill the blank columns and tick ( ✓ ) the choice of YES or NO, as applicable. No column is to be left un-actioned.

S. No	Description of Requirement	Firm's Compliance
1.	Principal Firm's Name, Address, Email, Phone No & Fax No. (On award of contract, Letter of Credit will be opened in favour of stated Principal Firm).	
2.	Agent Firm's / Representative's / Liaison Office's Name, Address, Email, Phone No & Fax No.	
3.	Weather Principal or its Agent Firm is registered with DGDP or Not?	<input type="checkbox"/> YES <input type="checkbox"/> NO
4.	Weather Principal is Indexed with DGDP's Registered Agent Firm or Not?	<input type="checkbox"/> YES <input type="checkbox"/> NO
5.	Copy of DGDP Registration Certificate along with extension certificate is attached with Technical Offer.	<input type="checkbox"/> YES <input type="checkbox"/> NO
6.	Agency agreement between Principal and Agent Firm is attached with the Technical Offer (for un-registered and registered but un-indexed firms only)	<input type="checkbox"/> YES <input type="checkbox"/> NO
7.	Authorized Distribution-ship Letter from manufacturer of the offered equipment in favour of Principal is attached with Technical Offer . OR If Principal is not authorized distributor of manufacturer of the offered equipment then a Letter from the manufacturer (or its Authorized Distributor) on their letterhead confirming that they have offered their quote to the Principal firm for supplying against this tender No <b>436306/P-43</b> is attached.  {Relevant address, phone no and email of the Manufacturer/ Distributor must be provided, if already not mentioned on their letterhead. DP(Air) will confirm authenticity of such authorization}.	<input type="checkbox"/> YES <input type="checkbox"/> NO
8.	Original Treasury Challan Form valuing Rs 200/- is attached with Technical Offer (Both by DGDP Registered and Un-registered firm)	<input type="checkbox"/> YES <input type="checkbox"/> NO
9.	Original Treasury Challan Form valuing Rs 1,000/- or Rs 1,500/- or 2,000/- (as per bid value defined at para 11b of FORM DP-1) is attached with Technical Offer (Only by DGDP un-Registered firm )	<input type="checkbox"/> YES <input type="checkbox"/> NO
10.	Bank Draft in lieu of Earnest Money as per the required amount in favour of <b>CMA (DP)</b> is attached with Technical Offer in a separate sealed envelope titled "Earnest Money Tender No _____". { Earnest money @ 5% (max ceiling Rs 0.400 Mil ) by un-registered, Earnest money @ 2% (max ceiling Rs 0.200 Mil for Registered firm )	<input type="checkbox"/> YES <input type="checkbox"/> NO
11.	Principal's Proforma invoice <b>without</b> prices is attached with Technical Offer. This is also known as Bill of Quantity. This should bear exactly the same Serial No as per IT. If some item(s), required in IT, is not quoted then its Serial No should be skipped.	<input type="checkbox"/> YES <input type="checkbox"/> NO
12.	Principal's Proforma invoice <b>with</b> prices is Attached with <b>Commercial Offer</b> only.	<input type="checkbox"/> YES <input type="checkbox"/> NO
13.	Offered prices should be on <b>CIP KARACHI AIRPORT BY AIR</b> basis (Incoterm-2010)	<input type="checkbox"/> YES <input type="checkbox"/> NO
14.	The validity period of Offered prices must be indicated and should be at-least 90 days from the date of opening the tender, extendable for further 30 days if needed.	<input type="checkbox"/> YES <input type="checkbox"/> NO

15.	Technical Offer must be submitted in 02 sets and commercial offer in 01 set only. Both should be packed separately in sealed envelopes. Such sealed envelopes should further be sealed in one large envelop having Tender No and Firm's name clearly written.	<input type="checkbox"/> YES	<input type="checkbox"/> NO
16.	Technical Scrutiny Report (TSR) document is duly filled, signed and stamped at appropriate column by the Principal firm. Such filled TSR document must be enclosed with the Technical Offer.	<input type="checkbox"/> YES	<input type="checkbox"/> NO
17.	Firm can quote any number of Line items. However, in case of a <b>Packaged Indent</b> , all items in a package have been quoted. (Details of all or certain items making a package (if applicable) is mentioned at "Special Notes" under "Schedule of Stores". )	<input type="checkbox"/> YES	<input type="checkbox"/> NO
18.	Principal's Financial Capability establishing documents like Audit Report / Bank Statement etc which should support execution of the contract (if awarded) in terms of finance availability is attached with Technical Offer. (For Un-registered Firms Only)	<input type="checkbox"/> YES	<input type="checkbox"/> NO
19.	Principal's existing Financial load (in Million) {Value of all ongoing contracts with DP(Air)/ DP (Army)/ DP (Navy) or any other Govt/ Civil Organization		
20.	Indicate the currency of offered bid. (US \$, GBP, Euro etc):-		
21.	Is Agent Commission applicable?	<input type="checkbox"/> YES	<input type="checkbox"/> NO
22.	Is Principle's Proforma Invoice inclusive of Agent Commission?	<input type="checkbox"/> YES	<input type="checkbox"/> NO
23.	Store will be delivered within required time period of <b>04 Months</b> after receipt of export license.	<input type="checkbox"/> YES	<input type="checkbox"/> NO
24.	Manufacturers / Maker's Name, Brand Name and address of OEM.		
25.	Country of Origin of store. List down names of countries in case of more than one country.		
26.	Mode of Shipment should be <b>By Air</b> .	<input type="checkbox"/> YES	<input type="checkbox"/> NO
27.	Indicate Airport / Seaport of Shipment.		
28.	Submission of Contract Performance / Warranty Bank Guarantee @ 10% of contract value which should be valid 2 months beyond expiry of warranty period.	<input type="checkbox"/> YES	<input type="checkbox"/> NO
29.	Warranty of equipment is minimum <b>12 Months</b> after release of CRVs.	<input type="checkbox"/> YES	<input type="checkbox"/> NO
30.	Acceptance of terms of Payment through irrevocable / Non-transferable letter of credit with 80% on shipment and 20% on release of CRVs.	<input type="checkbox"/> YES	<input type="checkbox"/> NO
31.	Acceptance of Special Notes as per IT.	<input type="checkbox"/> YES	<input type="checkbox"/> NO
32.	Acceptance of Inspection Criteria as per IT.	<input type="checkbox"/> YES	<input type="checkbox"/> NO

**Comments / Justification by Firm for non-compliance (if any):-**

\_\_\_\_\_

\_\_\_\_\_

**Signatures:** \_\_\_\_\_

**Name & Designation:** \_\_\_\_\_

**Direct Contact No & email:** \_\_\_\_\_

**Stamp of Firm:** \_\_\_\_\_

**SCHEDULE OF TENDER**

1. I/T No 436306/P-43
2. Time and Date of Opening: 13-11-2018 at 1100 Hrs
3. **Please see the Schedule of Tender at Appendix-I to DP-2, Part-I.**

**General Instructions**

1. Tech Specification/ GSR/ NSR/ ASR are reflected at Appendix-II to this schedule must be studied carefully prior to filling in Tender.
2. Date by which stores are required \_\_\_\_\_ (in case of not possible for you to give delivery by given date please indicate DP by which store can be delivered by the firm).
3. As per the IT quotation will be submitted on FOR/ FOB/ CIF/ C&F/ FAS/CIP Basis and in case of FOR (import) the principal invoices on C&F basis to be attached with offer.
4. The firm shall indicate availability of raw material and in case the same is to be imported then will give the requirement for import license.
5. The price quoted must be not per accounting unit as shown in the schedule to tender inclusive of sales Tax/ Excise Duty/ Surcharge (fix/ variable taxes or any other relevant tax). The breakdown of price will be indicated is as under:-
  - a. Ex-factory/ Base price - LC/ Relevant FE
  - b. Taxes/ Duties - LC/ Relevant FE
  - c. Total price - LC/ Relevant FE
  - d. Freight/ transportation/ Allied Charges - LC/ Relevant FE
  - e. Insurance Charges - LC
  - f. Agent commission (agent Commission ranging for 0.5% To 4% will be declared in the offer in case of contracts involving local agent whereas foreign principal is not paying commission to local agent then in that case the firm will attached certificate as Appendix-II - LC/ Relevant FE
6. Prices will be mentioned for each items separately both in figures, and words. Additional information if any would be linked with entries on the schedule tender.
7. Only one rate will be quoted for entire qty, items wise and multi-rates if quoted will lead to rejection of offer.
8. In case of FOR Contracts the price will be quoted in Pak Currency and in case store is to be imported, then quotation should be on FOB basis indicating the element to be added to make it CIF/ C&F/ FSA in such cases %age to be paid in foreign, currency and commission to be paid in Pak Currency will be clearly indicated.
9. Original quotations from the mfr/ supplier must be attached in support of quoted price. A certificate from the principal will be endorsed on the original quotation to the effect that the prices do include \_\_\_\_\_ %age of agent commission discount and do not include any such commission. And apart from this, there is no other element of agent's commission/ discount included in the quotation. Only one rate will be quoted for entire qty items-wise.
10. In case of OEM products are offered, OEM part No and its interchangeability with demanded part No should be indicated and provided with the help of relevant catalogue/ extract.
11. FOR Station/ FOB & FAS port must be given while filling the schedule.
12. In case of FOB/ CIF/ C&F/ FAS/ CIP requirements the prices will be indicated in US\$/ EURO/ UK£ (in case quoted prices are in different currencies then for the sake of comparison, these will be converted into Pak Currency at rate prevailing on opening day of commercial offers).

**Special Instructions.** You may say “Agreed” / “Not Agreed” to conditions/ clauses mentioned in the succeeding Part II & III of this DP-2. In case of disagreement you may suggest option/ alternative course for consideration by Procurement agency but it will not be binding on Director of Procurement to Accept the same.



**SCHEDULE OF TENDER**

TENDER INQUIRY NO. : **436306/P-43**  
TENDER TITLE : **Procurement of Spares and Spada (FCC and MIL)**  
TENDER TYPE : **Foreign Currency, CIP Karachi (Incoterm 2010)**  
SUBMISSION TIME : **Before 1030 Hrs on opening date.**  
TIME & DATE OF OPENING : **1100 Hrs on 13-11-2018**  
DELIVERY PERIOD : **Within 04 months after signing of contract**

S No	Part No	Description of Store	Specs	A/U	Qty
1	1338NL-289611G2	Cable W-13	Attached	EA	2
2	1338NL-62776	Cable Remote Control from C.BO		EA	3
3	1338NL-NA1200144A	VMPC-7		EA	2
4	1338NL-A24144-A1	Omega LED Assy		EA	1
5	1338NL-816291A1	DISTRIBUTOR		EA	2
6	1338NL-NA12V0089AA	Elevation Servo Amplifier		EA	1
7	1338NL-A92031675	Timing & Communications Board		EA	2
8	1338NL-A92031678	Video Board		EA	1
9	1338NL-325411A1	RF Power Sensor		EA	1
10	1338NL-30550	Remote Control K-Loader		EA	1
11	1338NL-399901A1	Grid Pulse Level Regulator		EA	1
12	1338NL-89D869P002	X4 Multiplier		EA	1
13	1338NL-A9604008000	Relais Logic		EA	1
14	1338NL-259932A1	670/700 MHz Generator		EA	1

**Important Notes:-**

1. Quotations must be submitted in Foreign Currency on **CIP Karachi** basis (Incoterm 2010)
2. **Particular Governing Supply**  
Specification /Technical data entered against each item on the indent form for guidance of manufacturer and inspector. **(Specifications Attached)**
3. **Inspection Criteria:-**

Physical inspection of subject store will be carried out by the inspectors of No 101 ALC, PAF with assistance of Co-opted member of specialist Dte as follows:-

  - a. **Physical Check**
    - i. Store will be checked for physical damage, Paint, scratches, corrosion and deformity.
    - ii. Accessories/leads/cables/connectors/Screws/nuts/bolts.
    - iii. Serviceability of accessories, spares and components.
    - iv. Brand name, model, country of origin and dimensions.
    - v. Store must be sealed for environmental protection.
    - vi. Items will be identified with contract part number and serial number.
    - vii. Documentation, publications and complete manuals and IPBs (In English).
    - viii. OEM Certificate and certificate of conformity and varifiable documents will be provided by the supplier that store has been procured from certified source.
    - ix. Calibration of certificate (If applicable)
    - x. Separate operational manual in English language.
  - b. Stores must be factory new and from current production. Certificate of current production is to be rendered by the supplier at the time of inspection.
  - c. **Functional Checks**

Functional / fitment / operational check of the equipment will be carried out as per contractual specifications at PAF sites designated by Specialist Dte.

d. **Warranty:-**

A warranty sticker is to be pasted on by the form highlighting following information:-

- |                            |                            |
|----------------------------|----------------------------|
| (i) Name of firm.          | (ii) Contract No and date. |
| (ii) Description of store. | (iv) Warranty validity     |

**Note:** In case of premature failure, firm has to be replace / rectify the item free of cost during warranty period. Required transportation charges would be paid by the supplier. Supplier shall provide all necessary facilities to the inspection staff for prompt and smooth inspection of store.

e. **Packing**

- (i) Each item (including spares and accessories) must be packed separately using waterproof material in appropriate boxes.
- (ii) Packing must be suitable for transportation of item over long distance by road / rail / sea / air.

f. **Delivery of Store**

After 100 % inspection suppliers will dispatch the stores to consignee at his own arrangement.

4. **Release of CRV:-**

CRV will be released by consignee after the receipt of acceptance certificate by the specialist Dte.

**Special Notes:-**

- (i) Warranty Period: - One years warranty after issuance of acceptance certificate for free of cost replacement/repair.
- (ii) Supplier is to render a certificate from the OEM only with each item that it is original item from OEM, not refurbished / repaired.
- (iii) Stores should be factory new and from latest production.

**TECHNICAL SCRUTINY REPORT (TSR)**

1	2	3	4	5
<b>S NO</b>	<b>PART NUMBER; NOMENCLATURE</b>	<b>INDENTED ITEMS' SPECS (BY USER) (T O REFERENCE)</b>	<b>SPECIFICATIONS OFFERED BY THE SUPPLIER</b>	<b>COMMENTS / ACCEPTED/ NOT ACCEPTED (BY USER)</b>
1	289611G2 Cable W-13	TO: 62 264 347 ILLUSTRATED PARTS CATALOGUE Fig:31 Item: 100A Page:31-1		
2	62776 Cable Remote Control from CBO	TO: 62 262 729 RAC-3D PREVENTIVE MAINTENANCE Title 3		
3	NA1200144AB VMPC-7	TO: 62 264 347 ILLUSTRATED PARTS CATALOGUE Fig:36 Item:050A Page:36-1		
4	A24144-A1 Omega LED Assy	TO: 62 264 347 ILLUSTRATED PARTS CATALOGUE Fig: 01 Item: 290A Page: 01-1		

5	816291A1 670 MHz DISTRIBUTOR	TO: TM-09ME1550 AU Ch 1-3-1Table 1-1 Level 5, Table 4-4 Fig:4-5/11 Page:5-64		
1	2	3	4	5
<b>S NO</b>	<b>PART NUMBER; NOMENCLATURE</b>	<b>INDENTED ITEMS' SPECS (BY USER) (T O REFERENCE)</b>	<b>SPECIFICATIONS OFFERED BY THE SUPPLIER</b>	<b>COMMENTS / ACCEPTED/ NOT ACCEPTED (BY USER)</b>
6	NA12V0089AA Elevation Servo Amp	TO: TM-09ME1549 SCCU Ch 1-3 Table 1-1 Level -3, Page 1-7 Table:4-1 Fig:4-1/1 Page:4-3		
7	A92031675 TIC BOARD	TO: TM-09ME1548 RPU Ch 1-3-1Table 1-1 Level 4,Page: 1-6 Table 4-4 Fig:4-5/5 Page:4-5		
8	A92031678 Video Board	TO: TM-09ME1548 RPU Table: 4-3 Fig:4-5/5 Page:4-5		
9	325411A1 RF Power Sensor	TO: TM-09M/E1551 CWIU Table: 4-2-4 Fig:4-3-1 Page:4-2-6		
10	30550 Remote Control K-Loader	CSES-381-A-17-MP 19-03-2018		

11	399901A1 Grid pulse Level Regulator	TO: TM-09M/E 1547 TXU Table 4-2-1 Fig 4-3-1 Page:4-2-2		
12	89D869P002 X4 Multiplier	TO: TM-09M/E 1547 TXU Table 4-2-2 Fig 4-3-6 Page:4-2-6		
13	360981A1 I/L A9604008000 Relais Logic	TO: TM-09M/E1548 RPU Table 4-1 Fig 4-1/3 Page:4-3		
14	259932A1 670/700 MHz Generator	TO: TM-09M/E 1547 TXU Table 4-2-6 Fig 4-3-9 Page:4-2-8		
Signature (Splt Dte)  Name..... Rank..... Appointment..... Date.....		Signature (Supplier)  Company Name  Date	Signature (Splt Dte)  Name..... Rank..... Appointment... Date.....	

- Column No 1, 2 & 3 to be filled by Splt Dte at the time of submission of Draft Indents to DCM.
- Column No 4 to be filled in by supplier at the time of submission of technical offer.
- Column No 5 to be filled in on receipt of the same Performa from DP (Air) for clearance of TSR by Splt Dte.

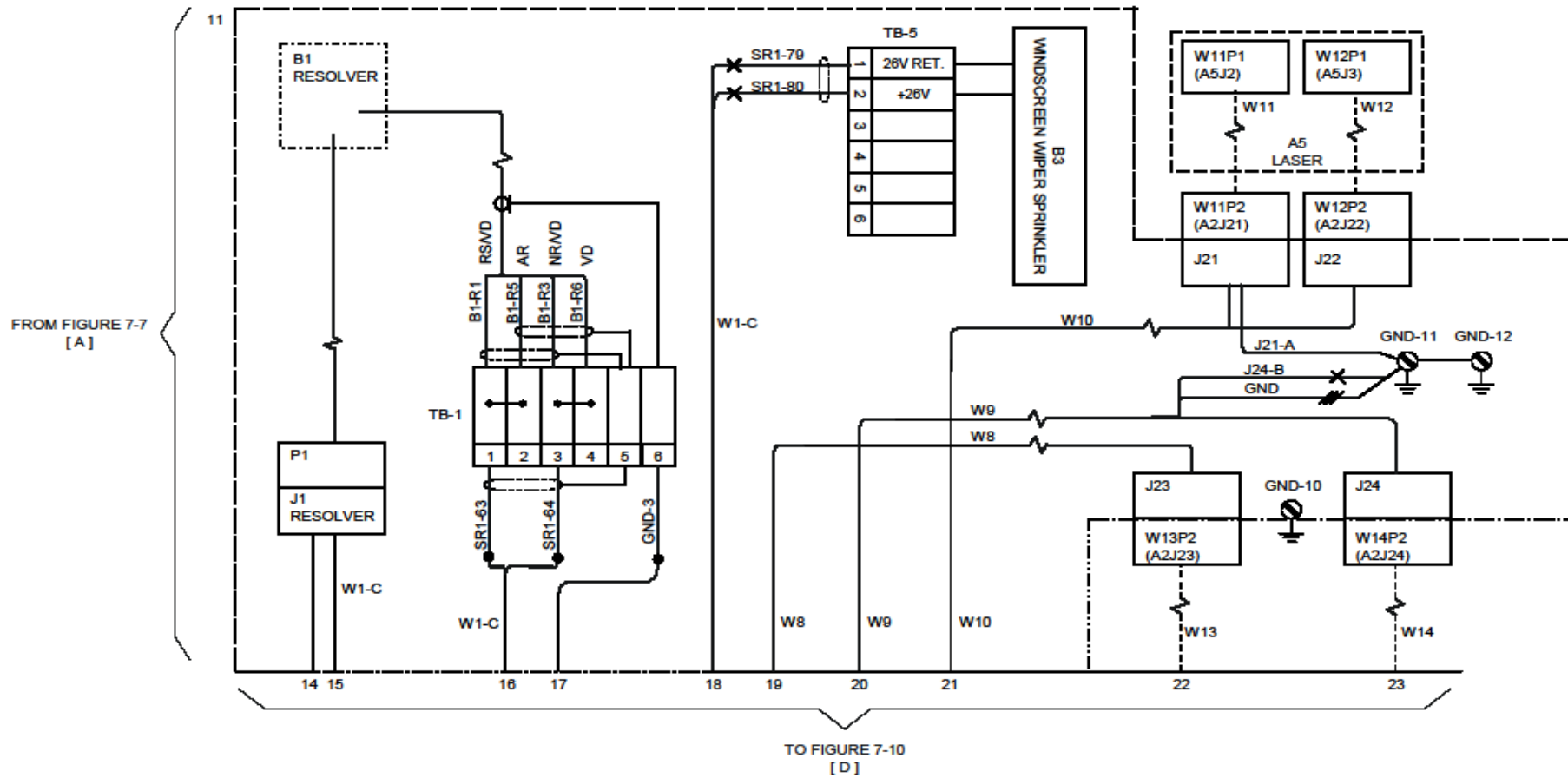


FIG. 7-1-8 PEDESTAL MOVABLE PART: WIRING DIAGRAM (SHEET 2 OF 4)

## 5-3-5-120. REPL. REMOTE CONTR. CABLE ASS. CONTR. BOX SIDE (SHEET 1 OF 2)

CORRECTIVE ACTION SHEET		CAS120	
EQUIPMENT CODE: SHELTER FCC			
DESIGNATION: REMOTE CONTROL CABLE	MAINTENANCE LEVEL: 2		
	RATES: 1 E1	MAN TIME: 5 min.	
MAINTENANCE REQUIREMENT DESCRIPTION: PROCEDURE OF REPLACEMENT REMOTE CONTROL CABLE ASSEMBLY CONTROL BOX SIDE	TOTAL MAN TIME: 5 min.		
	ELAPSED TIME: 5 min.		
SAFETY PRECAUTIONS: WARNING:			
TOOLS, PARTS, MATERIALS, MISCELLANEOUS: STANDARD TOOLS:			
SPECIAL TOOLS:			
PARTS: CABLE		62776	
MATERIALS:			
MISCELLANEOUS:			
PROCEDURES:			
<ul style="list-style-type: none"> <li>- Disable the system power supply;</li> <li>- Disconnect the connection cable from the remote control (FIG. 5-3-197) to the Control box (FIG. 5-3-198). Replace the cable with a new cable.</li> </ul>			
		ISSUE DATE: ORIGINAL	PAGE: 1/2

5-3-5-120-1.

REPL. R.C. CABLE ASS. CONTR. BOX SIDE (SHEET 2 OF 2)

ORIGINAL

5-3-434  
UNCLASSIFIED

UNCLASSIFIED

TM-09M/E1549

FIG ITEM	MANUFACTURER		DESCRIPTION	Q.TY	LRU TYPE	ALTERNATIVE	
	MFC	PART NUMBER				MFC	PART NUMBER
4-3-8 1	A1615	NA01V0006AA	EPWSA1	1	A4 A1	A1615	NA01V0006AA
4-3-8 2	A1615	NA1200144AB	VMPC7	1	A4 A4	A1615	NA1200144AB
4-3-8 3	A1615	AT08A010005	I/O EXPANSION	1	A4 A5	A1615	AT08A010005
4-3-8 4	A1615	NA1200146AA	SWITCH ETHERNET	1	A4 A6	A1615	NA1200146AA
4-3-8 5	A1615	NA1200027AF	ESICIE	1	A4 A7	A1615	NA1200027AF
4-3-8 6	A1615	NA12V0059AA	EIOHL1	3	A4 A10, A4A12, A4A14	A1615	NA12V0059AA

TAB. 4-2-6  
TRACKING NODE BASKET REPLACEABLE PARTS

ORIGINAL

4-2-8  
UNCLASSIFIED



FIG	MANUFACTURER		DESCRIPTION	QTY	LBU TYPE	ALTERNATIVE	
	ITEM	MFC				PART NUMBER	MFC
22			1234567				
-000	A7904	A22573-A1	...RACK CONSOLE (SEE FIG 05 ITEM 031 )	REF	3		
-001	A7904	A24116-A1	....RACK FCC	1	3		
002	A7904	A23000-A1	.....FAN ASSY	1	2		
003	A7904	CD4-00055	.....GAS DAMPER	1	2		
004	A7904	A24148-A1	.....CEILING ASSY RACK	1	3		
005	A7904	A24144-A1	.....WHITE OMEGA SPOT LED	1	2		

- NOT ILLUSTRATED

FIG ITEM	MANUFACTURER		DESCRIPTION	Q.TY	LRU TYPE	ALTERNATIVE	
	MFC	PART NUMBER				MFC	PART NUMBER
4-3-4 1	A1615	202872A1	PRE-IF700/30MHz	3	A1; A2; A3	A1615	202872A1
4-3-4 2	A1615	221719A1	PRE-SELECTOR MATCHED FILTER	3		A1615	221719A1
4-3-4 3	99313	80X251G801	MATCHED TR. LIMITER	3		A1615	80X251G801
4-3-4 (TAB. 4-2-7)	A1615	242089A1	RF PARTS ASSEMBLY ( $\Delta EI$ )	1		A1615	242089A1
4-3-4 5	A1615	221720G2	FILTER	3		A1615	221720G2
4-3-4 (TAB. 4-2-5)	A1615	242087A1	RF PARTS ASSEMBLY ( $\Sigma$ )	1		A1615	242087A1
4-3-4 (TAB. 4-2-6)	A1615	242088A1	RF PARTS ASSEMBLY ( $\Delta Az$ )	1		A1615	242088A1
4-3-4 8	A1615	221722A1	LOW POWER DIPLEXER	1		A1615	221722A1
4-3-5 9	96341	2001-4156-00	TERMINATION	1		A1615	30C041P001
4-3-5 10	A1615	191368A1	VARIABLE ATTENUATOR	1		A1615	191368A1
4-3-5 11	A1615	816291A1	670 MHz DISTRIBUTOR	1		A1615	816291A1
4-3-5 12	A1615	353495A1	MATCHED SERIES	1		A1615	353495A1
4-3-5 13	A1615	235479A1	X3 STALO DIVIDER	1		A1615	235479A1

TAB. 4-2-4  
ANTENNA RECEIVER BOX: REPLACEABLE PARTS

UNCLASSIFIED

TM-09M/E1549

FIG ITEM	MANUFACTURER		DESCRIPTION	Q.TY	LRU TYPE	ALTERNATIVE		
	MFC	PART NUMBER				MFC	PART NUMBER	
4-3-1 1	2W364	D164 (mod.D162-018)	ELEVATION SERVO AMPLIFIER	1	A7	A1615	NA12V0089AA	
4-3-1 TAB. 4-2-5	2	-	BREAKERS PANEL	1	-			
4-3-1 TAB. 4-2-5	3	A1615	NA1700053AA	INTERLOCKING NODE BASKET	1	A3	A1615	NA1700053AA
4-3-1	4	2W364	D165 (mod.D162-018)	TRAINING SERVO AMPLIFIER	1	A6	A1615	NA12V0088AA
4-3-1	5	A1615	NA2000040AB	LOCAL MAINTENANCE PANEL (LMP)	1	A11	A1615	NA2000040AB
4-3-1 TAB. 4-2-6	6	A1615	NA1700054AA	TRACKING NODE BASKET	1	A4	A1615	NA1700054AA

TAB. 4-2-1  
SCCU REPLACEABLE PARTS

ORIGINAL

4-2-2

UNCLASSIFIED

UNCLASSIFIED

TM-09M/E1548

FIG ITEM	MANUFACTURER		DESCRIPTION	Q.TY	LRU TYPE	ALTERNATIVE	
	MFC	PART NUMBER				MFC	PART NUMBER
4-3-5							
1	A1615	A90031669	SAMPLING & CONVERSION BOARD (SCB)	1	A15-A2	A1615	A90031669
2	A1615	A92031670	TRACKING ELABORATION BOARD (TEL)	1	A15-A5	A1615	A92031670
3	A1615	A92031672	MOVING TARGET INDICATOR BOARD (MTI)	1	A15-A6	A1615	A92031672
4	A1615	A92031673	SEARCH ELABORATION BOARD (SEL)	1	A15-A7	A1615	A92031673
5	A1615	A92031675	TIMING & COMMUNICATIO NS BOARD (TIC)	1	A15-A8	A1615	A92031675
6	A1615	A92031678	VIDEO BOARD (VID)	1	A15-A9	A1615	A92031678
7	A1615	A90031680	DRIVER BOARD (DRV)	1	A15-A12	A1615	A90031680

TAB. 4-2-3  
HRTP ASSEMBLY REPLACEABLE PARTS

ORIGINAL

4-2-4

UNCLASSIFIED

UNCLASSIFIED

TM-09M/E1548

FIG ITEM	MANUFACTURER		DESCRIPTION	Q.TY	LRU TYPE	ALTERNATIVE	
	MFC	PART NUMBER				MFC	PATRT NUMBER
4-3-5							
1	A1615	A90031669	SAMPLING & CONVERSION BOARD (SCB)	1	A15-A2	A1615	A90031669
2	A1615	A92031670	TRACKING ELABORATION BOARD (TEL)	1	A15-A5	A1615	A92031670
3	A1615	A92031672	MOVING TARGET INDICATOR BOARD (MTI)	1	A15-A6	A1615	A92031672
4	A1615	A92031673	SEARCH ELABORATION BOARD (SEL)	1	A15-A7	A1615	A92031673
5	A1615	A92031675	TIMING & COMMUNICATIO NS BOARD (TIC)	1	A15-A8	A1615	A92031675
6	A1615	A92031678	VIDEO BOARD (VID)	1	A15-A9	A1615	A92031678
7	A1615	A90031680	DRIVER BOARD (DRV)	1	A15-A12	A1615	A90031680

TAB. 4-2-3  
HRTP ASSEMBLY REPLACEABLE PARTS

ORIGINAL

4-2-4

UNCLASSIFIED

FIG	ITEM	MANUFACTURER		DESCRIPTION	Q.TY	LRU TYPE	ALTERNATIVE	
		MFC	PART NUMBER				MFC	PART NUMBER
4-3-1	1	A1615	324950A1	DIRECTIONAL COUPLER	1	A5-A1	A1615	324950A1
4-3-1	2	A1615	325411A1	RF POWER SENSOR	1	A5-A3	A1615	325411A1
4-3-1	3	A1615	221467G1	WR90 LOAD ASSEMBLY	1	A5-A5	A1615	221467G1
4-3-1	4	S3333	PM7288X	RF SWITCH	1	A5-A2	A1615	89S752P001
4-3-1	5	95077	8018-6174	DUMMY LOAD	1	A5-R4	A1615	89L1150P002
4-3-1	6	99899	320B	WR90 LOAD	1	A5-A4	A1615	86I965P004

TAB. 4-2-4  
RF ASSEMBLY REPLACEABLE PARTS

## 2.2 DESCRIPTION OF MAIN PARTS

### 2.2.1 Remote control

The remote control lets you control KLMR handling (travel, lifting, etc.). It can be used both outside the vehicle (with reduced travel speed) and from the driving position (by positioning it on the special support).

When operating from outside the vehicle, you drive in the reverse direction, as front and rear are reversed.

The remote control is connected to the KLMR through a 1 m-long Teflon cable; when the remote control is positioned in the driving position, wind up the cable in the cable reel.

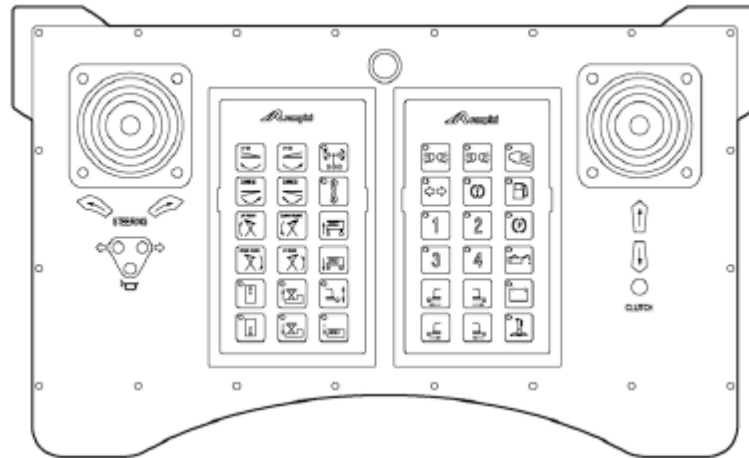


Fig. 2.2 - Remote control

### 2.2.2 Driving position

The driving position is located at the front (right-hand side) of the KLMR. The driver's seat is fitted with an operator presence micro-switch. The micro-switch detects the operator and enables some functions that can only be used when using the remote control from the driving position (for instance higher travel speed is allowed).

### 2.2.3 Engine

The KLMR has an oil-cooled turbo supercharged 4-cylinder diesel engine, that is fixed to the front part of the frame through vibration-damping supports.

The Stage III A engine complies with the emission standards set by Directive 2004/26/EC.

All hydraulic pumps supplying hydraulic power to the KLMR devices are coupled to the diesel engine.

### 1-3 STRUCTURE AND TECHNICAL CHARACTERISTICS

#### 1-3-1 Structure

TAB. 1-3-1 reports the list of the unit components:

LEVEL	DESCRIPTION	REFERENCE DESIGNATION	PART NUMBER	Q.TY
1	TRANSMITTER UNIT	-	U06000383	1
2	TWT	V1	80X247P001	1
2	TX COMMAND & CONTROL PANEL	A1	A84017361	1
3	IONIC PUMP POWER SUPPLY	A1 A13	399941A1	1
3	TX LOGIC FRAME	A1 A16	A84020750	1
4	HIGH LEVEL INTERFACE (HLI)	A1 A16 A1	989771A1	1
4	PROCESSOR INTERFACE (PI)	A1 A16 A2	988981A1	1
4	INTERFACE & CONTROL 1 (CO-1)	A1 A16 A3	986041A1	1
4	LOCAL PRF & INTERFACE (LPI)	A1 A16 A4	A92017364	1
2	LOW VOLTAGE POWER SUPPLY	A2	393273A1	1
3	INPUT MODULE	A2 A1	399832A1	1
3	FAN DRIVER MODULE	A2 A2	399842A1	1
3	INVERTER MODULE	A2 A3	399852A1	1
3	SWITCHING REGULATOR MODULE	A2 A4-A6	399862A1	2
3	MAIN BRIDGE MODULE	A2 A5-A7	399872A1	2
3	FLY BACK MODULE	A2 A8	399882A1	1
3	COMPENSATOR MODULE	A2 A9	399892A1	1
2	DC POWER SUPPLY	A3	47B336P001	1
2	GENERATOR ASSY	A4	A84001708	1
3	670/700 MHz GENERATOR (ALT.1)	A4 A1	259932A1	1
3	670/700 MHz GENERATOR (ALT 2)	A4 A1	A82012385	1
2	L-STALO SYNTHESIZER	A5	A82010827	1
2	GRID PULSE LEVEL REGULATOR	A7	399901A1	1
2	TWT CATHODE LEVEL	A8	399905A1	1
3	POWER SUPPLY	A8 A3	399911A1	1
3	GRID MODULATOR	A8 A2	399921A1	1

1-3-1

ORIGINAL

UNCLASSIFIED



UNCLASSIFIED

TM-09M/E1547

LEVEL	DESCRIPTION	REFERENCE DESIGNATION	PART NUMBER	Q.TY
3	OPTOCOUPLER	A8 A1	399931A1	1
2	RF ASSY	A9	392471A1	1
3	X4 MULTIPLIER (ALT.1)	A9 A6	89D869P001	1
3	X4 MULTIPLIER (ALT.2)	A9 A6	89D869P002	1
3	STALO COMMUTABLE FILTERS	A9 A2	89F870P001	1
3	STALO AMPLIFIER	A9 A1	47R282P002	1
3	PHASE/AMP. MODULATOR	A9 A3	392473A1	1
3	RF COMMUTABLE FILTERS	A9 A5	89F870P002	1
3	RF AMPLIFIER	A9 A4	47R282P003	1
3	COMMAND BITE RF ASSY	A9 A7	399992A1	1
3	INPUT COUPLER	A9 A8	392475A1	1
3	OUTPUT COUPLER (ALT.1)	A9 DC1	89C871P001	1
3	OUTPUT COUPLER (ALT.2)	A9 DC1	89C871P002	1
3	RF SWITCH	A9 S1	392568A1	1
3	TWT CIRCULATOR	A9 HY1	241670A1	1
3	DUMMY LOAD	A9 AT4	89L868P001	1
2	POWER PACK	PS1	47B228G801	1

TAB. 1-3-1  
TRANSMITTER UNIT COMPOSITION

1-3-2 Specifications of the Transmitter Unit

1-3-2-1 Identification

TAB. 1-3-2 reports the unit plate rating:

UNIT	TYPE	MANUFACTURER	IDENTIFICATION NUMBER
TRANSMITTER UNIT	X BAND	SELEX -SI	U06000383

TAB. 1-3-2  
PLATE RATING

ORIGINAL

1-3-2

UNCLASSIFIED

### 1-3 STRUCTURE AND TECHNICAL CHARACTERISTICS

#### 1-3-1 Structure

TAB. 1-3-1 reports the list of the unit components:

LEVEL	DESCRIPTION	REFERENCE DESIGNATION	PART NUMBER	Q.TY
1	RECEIVER & PROCESSING UNIT		U05031509	1
2	TRANSFORMER ASSEMBLY	A2	A81032522	1
2	ANALOGIC & DIGITAL PROCESSOR ASSEMBLY	A1	A84031618	1
3	DISPLAY BITE	A1A21	266081A1	1
3	RELAIS LOGIC	A1A24	360981A1	1
3	3 PORT ETHERNET FIBER CONVERTER	A1A22; A1A23	A88031759	2
3	BLOWER ASSEMBLY	A1A14; A1A16; A1A20	A82032200	3
3	POWER SUPPLY ASSEMBLY	A1A19	A84031617	1
4	FILTER MODULE	A1A19A2	A82033292	1
4	CONTROL MODULE	A1A19A10	A82032714	1
4	AC/DC CONVERTER	A1A19A3	A82032715	1
4	DC/DC CONVERTER - ANT	A1A19A4	A82032716	1
4	DC/DC CONVERTER - IF	A1A19A5	A82032717	1
4	DC/DC CONVERTER - H RTP	A1A19A6	A82032718	1
4	DC/DC CONVERTER - H RTP	A1A19A7	A82032719	1
3	HARD REAL TIME PROCESSOR (H RTP)	A1A15	A84031681	1
4	H RTP E.M. ASSEMBLY	-	A81032420	1
4	SAMPLING & CONVERSION BOARD (SCB)	A1A15A2	A90031669	1
4	TRACKING ELABORATION BOARD (TEL)	A1A15A5	A92031670	1
4	MOVING TARGET INDICATOR BOARD (MTI)	A1A15A6	A92031672	1
4	SEARCH ELABORATION BOARD (SEL)	A1A15A7	A92031673	1

1-3-1

ORIGINAL

UNCLASSIFIED

### 1-3 STRUCTURE AND TECHNICAL CHARACTERISTICS

#### 1-3-1 Structure

TAB. 1-3-1 reports the list of the unit components:

LEVEL	DESCRIPTION	REFERENCE DESIGNATION	PART NUMBER	Q.TY
1	TRANSMITTER UNIT	-	U06000383	1
2	TWT	V1	80X247P001	1
2	TX COMMAND & CONTROL PANEL	A1	A84017361	1
3	IONIC PUMP POWER SUPPLY	A1 A13	399941A1	1
3	TX LOGIC FRAME	A1 A16	A84020750	1
4	HIGH LEVEL INTERFACE (HLI)	A1 A16 A1	989771A1	1
4	PROCESSOR INTERFACE (PI)	A1 A16 A2	988981A1	1
4	INTERFACE & CONTROL 1 (CO-1)	A1 A16 A3	986041A1	1
4	LOCAL PRF & INTERFACE (LPI)	A1 A16 A4	A92017364	1
2	LOW VOLTAGE POWER SUPPLY	A2	393273A1	1
3	INPUT MODULE	A2 A1	399832A1	1
3	FAN DRIVER MODULE	A2 A2	399842A1	1
3	INVERTER MODULE	A2 A3	399852A1	1
3	SWITCHING REGULATOR MODULE	A2 A4-A6	399862A1	2
3	MAIN BRIDGE MODULE	A2 A5-A7	399872A1	2
3	FLY BACK MODULE	A2 A8	399882A1	1
3	COMPENSATOR MODULE	A2 A9	399892A1	1
2	DC POWER SUPPLY	A3	47B336P001	1
2	GENERATOR ASSY	A4	A84001708	1
3	670/700 MHz GENERATOR (ALT.1)	A4 A1	259932A1	1
3	670/700 MHz GENERATOR (ALT 2)	A4 A1	A82012385	1
2	L-STALO SYNTHESIZER	A5	A82010827	1
2	GRID PULSE LEVEL REGULATOR	A7	399901A1	1
2	TWT CATHODE LEVEL	A8	399905A1	1
3	POWER SUPPLY	A8 A3	399911A1	1
3	GRID MODULATOR	A8 A2	399921A1	1

1-3-1

ORIGINAL

UNCLASSIFIED

## **DP-2, PART-II**

### **LEGAL/ ADMINISTRATIVE** **TERMS AND CONDITIONS GOVERNING THE CONTRACT**

(to be filled by DP as appropriate this IT as per DP-35)

1. **Warranty.** All goods/ stores/ offered would be brand new, from current year of production. These will be supplied on Form DPL-15 (Appendix III) and will be governed as per warranty clause. This warranty period may be covered by a BG as stipulated above depending on the value/ critically of the tendered equipment/ stores Format of BG against warranty is attached as appendix IV.
2. **Security Deposit/ Bank Guarantee (BG)**
  - a. BG equal to 10% will be imposed on all FOB/ FOR contracts on issuance of letter of Intent/ Acceptance or signing of the contract, the Supplier shall within a period of 30 days, submit a Security Deposit in the following forms:-
    - (i) Demand Draft/ Pay Order from any scheduled bank of Pakistan.
    - (ii) Cash deposit on Form PAFA 507 in favour of Controller Military Accounts (DP).
    - (iii) Treasury Receipt.
    - (iv) Unconditional and irrevocable Bank Guarantee form a scheduled bank of Pakistan, which shall be endorsed in favour of Controller Military Accounts (DP) in the case of local contracts.
    - (v) Unconditional and Irrevocable Bank Guarantee form a scheduled bank of State Bank of Pakistan or through LC opening Pakistani Bank in the case of foreign contracts. Such a Bank Guarantee shall be endorsed in favour of Controller Military Accounts (DP).
3. **Agent Commission.** In case of Involvement of foreign firm's local (Pakistani) agent, the commission %age being paid to the agent must be declared in the offer. This commission will be paid to agents in Pakistani currency (rupees) by CMA (DP) on satisfactory completion of supplier. Letter of Credit will be reduced by corresponding Dollar value of agency commission at the exchange rate of date of opening of commercial offer. In case firm does not have any local agent, then a certificate as per format attached as (appendix-II) will be signed by OEM/principal and included as integral part of contract.
4. **Taxes/ Duties/ Letter of Credit Charges.** All taxes/ duties/ import License Fee/ LC charges as applicable under Govt laws in Pakistan as well as country of Suppler shall be non Supplier's account.
5. **Term of Payment.** Principal/ Supplier may be allowed to draw 80% payment through Letter of Credit on dispatch of stores and 20% on issuance of Certificate Receipt Voucher (CRV) by consignee.
6. **Late Delivery.** In the event in delivery at Supplier's fault, the Supplier shall inform the purchaser before expiry of such delivery period giving reasons/ justification for it. The purchaser shall have the right to take following actions:-
  - a. Cancel the contract, and/ or
  - b. To purchase from elsewhere stores not delivered, at the risk and expense of the Supplier and without notice to him, or
  - c. To recover liquidated damages when the Competent Purchase Officer is satisfied that the failure to supply the stores within the scheduled delivery period has been for reasons with the control of the Supplier, and/ or if the Government has suffered loss for reasons of belated delivery. These liquidated damages, if imposed, will be recovered at the rate of upto 2% but not less than 1% (depending on the merit of the case as decided by Competent Purchase Officer) of the value of stores supplied late per month or a part of month for the period exceeding the original delivery period, subject to the provision that the total liquidated damages thus imposed will not exceed 10% of the total value of the stores delivered late
  - d. The purchaser's decision under this clause shall NOT be subjected to arbitration.
7. **Shipment.** In case of FOB contracts, shipment will be made through PNSC vessel or PIA on Purchaser's account. Details to be incorporated in the contract Shipment through foreign vessel/ flight due to any compulsion will require prior approval of Purchase/ DGDP. For further detail referred to DP-35.
8. **Insurance.** In case of FOB contract, insurance in this contract if required will be on Purchaser's account with NICL, Pakistan.
9. **Subletting.** Supplier not allowed wholly or part of the contract to any other firm/ company without prior permission of the Purchaser. Firm found in breach of this clause will be dealt with as per purchaser's right and discretion.
10. **Purchaser's Right.** Government of Pakistan (represented) by Directorate General Defence Purchase does not pledge himself to accept the lowest or any tender and reserves the right of accepting the whole or any part of the quantity offered. Please be notified that the tender does not constitute ANY obligation or commitments what-so-ever on the part of the Government of Pakistan to negotiate or conclude ANY or part thereof of the subject contract under any terms or conditions irrespective of the cost, lowest cost or any gradation of the cost. Government of Pakistan reserves the right to cancel the indent, tender or inquiry or to reject any offer or quotation without assigning any reason or explanation.

The purchaser also reserves the right of deletion, addition and cancellation of the contract in part or full without assigning and reason whatsoever and without financial repercussion on either side within 30 days after the signing of contract. Such information will be passed to the supplier on his legal address by the purchaser through the fastest possible means i.e. Telephone, Fax, Telex, Cable Telegram etc.

11. **Export License/ Permit/ End User Cert.** It shall be the responsibility of the supplier to obtain from the Government concerned all permits and export licenses, etc required to enable each consignment to be shipped immediately as per the delivery schedule. In case the supplier fails to arrange export license within 30 days of signing the contract the purchaser reserves the right to cancel the contract on the risk and expense of the supplier without prior notice. The purchaser will provide End User Certificate (EUC) to the supplier within 15 days of signing of the contract for the purposes of getting the export license/ permit. However purchase will not be responsible to arrange export license/ permit on behalf of the supplier for the export of the contracted goods/ stores.

12. **Failure/ Termination.** The purchaser shall be entitled to terminate the contract on Risk and Expense for default on the part of supplier. In case the Purchaser elects to terminate the Contract, the Purchaser shall give notice in writing to the Supplier to make good the default. Should the Supplier fail to initiate proceedings in order to comply with the notice within 15 days from the date of servicing of such notice, the Purchaser may forthwith terminate this contract by notice in writing to the Supplier without prejudice to any rights of supplier. Extra cost if incurred on re-purchase form else where will be on your account.

13. **Secrecy.** The Supplier shall undertake that any information about the sale/ purchase of the stores under this contract shall not be communicated to any person, other than the manufacturer of the stores, or to any press or agency not authorized by the Director General Defence Purchase Division to receive it. Any breach on this account will be punishable under the Official Secret Act-1923 in addition to termination of the contract at the risk of Supplier.

14. **Signature on Appendix V to DP-2 Part-II.** In case of un-registered firm, the attached Appendix V to DP-2 Part-II is required to be signed by the supplier. (Ref DGDP letter No 1566/01/Gen/Registration dated 19 February, 2014)

15. **Award of Contract to Un-Registered Firm Valuing Rs 1 Million and above** In case of contract is awarded to un-registered firm valuing Rs 1 million and above, BG from any scheduled Pakistani Bank will be submitted to DP (Air) **BEFORE SIGNING OF THE CONTRACT.** (Ref DGDP letter No 1566/01/Gen/Registration dated 19 February, 2014)

16. **Declaration of Movable / immovable Property:** Prior to the award of contract the potential supplier, the firm is required to provide details of movable / immovable property on Rs. 100 judicial stamp paper duly attested by the oath commissioner.

**CERTIFICATE**

It is certified that no person, firm, corporation, subsidiary or entity in Pakistan or elsewhere shall directly or indirectly receive any rebate, bonus, commission, gift or favour in case or kind other than the commission allowed to M/s (No one allowed) against Contract No----- . In case it is discovered that the contents of this certificate have been infringed/ violated by the supplier, the purchaser will have the right to cancel the contract and/ or impose a penalty equal to 25% f the contract value.

**Agent**

**Principal**

\_\_\_\_\_  
**Seal & Signature**

\_\_\_\_\_  
**Seal & Signature**

**COUNTERSIGNATURE**

\_\_\_\_\_  
**DP Concerned  
Seal & Signature**

**GUARANTEE FORM DPL-15**  
**PRINCIPAL'S MANUFACTURER'S STANDARD WARRANTY/**  
**SELLER'S LETTER OF GUARANTEE**

Firm Name: **M/s** \_\_\_\_\_

Contract No: \_\_\_\_\_

1. We hereby guarantee that the articles supplied under the terms of this contract are produced now in accordance with approval drawings in all respect in accordance with the terms of the contract, and that the material used, whether or not of our manufacture, are in accordance with the latest appropriate standard specification, and also in accordance with the terms of the contract complete of good workmanship throughout and that will replace free of cost (FOB/ CIF/ C&F/ FOR) Karachi as the case may be every article or part hereof which before use or in use shall be found defective or is found not within the limits and tolerance of specification requirement or if any way are not in accordance with the requirement of the contract.

2. In case of our failure to replace the defective stores free of cost within a reasonable period, we will refund the relevant cost (FOB/ CIF/ C&F/ FOR) Karachi as the case may be in the currency/ currencies in which received plus freight charges, up to consignee's and the purchaser shall have the right to purchase the stores declared defective at our risk and expense.

3. The supplier also undertakes to make good the deficiency in supply if any.

4. The warranty will remain valid for -----on receipt of stores by the consignee.

Signature: \_\_\_\_\_

Dated: \_\_\_\_\_

**Note:** The signature must be the same as the one on the Tender/ Contract, if otherwise must be shown to be the signature a person capable of giving guarantee on behalf of the contractors.

**BANK GUARANTEE FOR PERFORMANCE ON  
JUDICIAL STAMP PAPER OF RS 100/- OR AS  
SUITABLE TO THE AMOUNT OF BG**

CONTRACT No:  
NAME OF FIRM/ CONTRACTOR:  
ADDRESS OF FIRM/ CONTRACT:  
NAME OF GUARANTOR: \_\_\_\_\_  
ADDRESS OF GUARANTOR: \_\_\_\_\_  
AMOUNT OF GUARANTOR: Rs \_\_\_\_\_  
DATE OF EXPIRY OF GUARANTEE: \_\_\_\_\_ (In Words)

To: **The President of Islamic Republic of Pakistan through the Controller of Military Accounts (Defence Purchase), Rawalpindi**

Sir,

1. Whereas your good self have entered into Contract No. \_\_\_\_\_  
dated \_\_\_\_\_

With Messrs \_\_\_\_\_

Full Name and Address

Hereinafter referred to as our customer and that one of the conditions of the Contract is the submission of unconditional Bank Guarantee by our customer to your good-self for a sum of Rs \_\_\_\_\_ Rupees \_\_\_\_\_

2. In compliance with this stipulation of the contract, we hereby agree and undertake as under:-

a. To pay to you unconditionally on demand and/ or without any reference to our Customer an amount not exceeding the sum of Rs \_\_\_\_\_ Rupees

\_\_\_\_\_ as would be mentioned in your written Demand Notice.

b. To keep this Guarantee in force till \_\_\_\_\_

c. That the validity of this Bank Guarantee shall be kept one clear year ahead of the original/ extended delivery period or the warrantee of the stores which so ever is later in duration on receipt of information form our Customer i.e. \_\_\_\_\_ or form your office. Our liability under this Bank Guarantee shall cease on the closing of banking hours on the last date of validity of this Bank Guarantee. Claim received thereafter shall not be entertained by us whether your suffer a loss or not. On receipt of payment under this Guarantee, this document i.e. Bank Guarantee must be clearly cancelled, discharged and returned to us.

d. That we shall inform your office regarding termination of the validity of this Bank Guarantee one clear month before the actual expiry date of this Guarantee.

e. That with the consent of our customer you may amend/ alter any term/ cause of the contract or add/ delete any term/ clause to/ from this contract without making any reference to us. We do not reserve any right to receive any such amendment/ alternation or addition/ deletion provided such like actions do not increase our monetary liability under this Bank Guarantee which shall be limited only to Rs \_\_\_\_\_ (Rupees \_\_\_\_\_)

f. That the Bank Guarantee herein before given shall not be affected by any change in the constitution of the Bank or Customer/ Supplier or Vendor.

g. That this is an unconditional Bank Guarantee, which shall be encashed on sight on presentation without any reference to our Customer/ Supplier or Vendor.

**GUARANTOR :**

Dated: \_\_\_\_\_

**Bank Seal & Signature:**



**AFFIDAVIT / UNDERTAKING**  
**(WORTH RS 100/- ON JUDICIAL STAMP PAPER)**

Mr \_\_\_\_\_ Authorized signatory/ Partner/MD of M/s \_\_\_\_\_, do hereby solemnly affirm to DP (Air), and Directorate General Defence Purchase, Ministry of Defence Production, Rawalpindi that our firm M/s \_\_\_\_\_ has applied for registration with Director General Defence Purchase (DGDP) duly completed all the documents required by Registration Section on \_\_\_\_\_ (date) i.e. before signing the contract. I certify that the above mentioned statement is correct. In case it is detected on any stage that our firm has not applied for registration with Director General Defence Purchase or statement given above is incorrect, our firm will be liable for disciplinary action initiated (i.e. debaring, the firm to do business with other Defence Establishment and Government Agencies). I also accept that any disciplinary action taken will not be challenged in any Court of Law.

Station \_\_\_\_\_

Signature \_\_\_\_\_

Dated \_\_\_\_\_

Name \_\_\_\_\_

Appointment in Firm \_\_\_\_\_

**ATTESTED BY OATH COMMISSIONER WITH STAMP**

**CERTIFICATE**

It is certified that no change/amendment has been made in the documents available on the PPRA website. In case, found guilty of any tempering to the IT documents, severe disciplinary action will be taken against my firm.”

Principal / Agent

\_\_\_\_\_

Seal & Signature

**TECHNICAL CONDITIONS/ SPECIFICATIONS OF STORES**

**1. Technical Specifications**

1.1 The store/ equipment should confirm to specification/ service requirements and technical data/ drawing (if applicable as per attached **Appendix "A"**). Offer not confirming to required specification or multi offers will be rejected. The supplier shall further undertake to provide all the contracted stores/ goods as per the specification.

1.2 All stores/ Items/ Goods delivered would be brand new, from current year of production, confirming to purchaser specifications/ satisfaction. The supplier will provide all the OEM certificate, quality certification/ inspection documents to the purchaser confirming the quality of the product being supplied under this contract. Stores must bear the manufacture's Identification marking/ monogram.

2. **Requirement of Samples.** The requirement of tender sample will be included in the IT in case the same is required for evaluation by technical authorities. Beside this advance sample if required will be made part of the IT as well as the contract.

3. **Change in Specification/ Mfr/ Model.** No alteration in make/ brand and quality of stores will be entertained after the tenders have been opened. To contrary, any change/ improvement requires approval of tech authority/ user.

4. **Technical Documentation.** All original publication, catalogues and technical/ operational manuals will be supplied free of coat by the supplier at the request of purchaser unless otherwise stated in the contract. Supplier will also provide two copies of compact disc and hand made drawings wherever applicable. The supplier will provide two sets of following documents free of coat for technical scrutiny of the offer (as applicable):-

- a. Technical literature of each item in original form.
- b. Manufacturer's Specifications/ Technical Data/ Drawings and packing details etc of each item in original form.
- c. Acceptance test procedure/ criteria of each item.
- d. Country of origin of each items and port of shipment.

5. **Interchangeability.** A certificate of complete interchangeability must be endorsed on the quotation for substitutes/ in lieu and superseded items. A copy of relevant page of publication must be attached to prove correctness of offered items.

6. **Checking of Store at Consignee End.** All stores will be checked at consignee's end, in the presence of supplier's representatives. If for the reasons of economy, or any other reason, the supplier decides not to nominate his representative for such checking; an advance written notice to this effect will be given by the supplier to the consignee prior to or immediately on shipment of stores. In such an even the supplier will clearly undertake that the decision of consignee with regard to quantities and description of a consignment will be taken as final and discrepancy found will be accordingly made up by supplier. In all other cases the consignee will inform the suppliers about arrival of consignment immediately on receipt of stores through registered mail or fax. If no response from the supplier is received within 15 days from initiation of letter the consignee will have the right to proceed with the checking without supplier's representative, Consignee's report on checking of stores will be binding on the supplier in such cases.

7. **Packing/ Marking.** The supplier shall be responsible for proper packing of the stores in accordance with the relevant paper particulars under the conditions laid down in the contract or other relevant Instructions on the subject in standard export packing worthy of transportation by Sea/ Air/ Road/ Rail so as to ensure their contents being free from loss or damage due to faulty packing on arrival at the ultimate destination. Packing of stores will be done at the expense of the Supplier. All packing cases, containers and other packing material shall become the property of the State on receipt. Marking of packages/ containers shall also be done by end at the expense of the Supplier in accordance with the instructions given by the Purchaser. Failure to mark consignment in accordance with these instructions will render the store liable to rejection. Any loss occurred/ demurrage paid due to wrong marking will be made good by the Supplier.

**UNDERTAKING**

To:

**The Director of Procurement (AIR)  
(Section P-43)  
Air Headquarters, Chaklala/ Rawalpindi**

Dear Sir,

1. I/We hereby offer to supply to the Director of Procurement (Air) the stores detailed in schedule to the tender inquiry or such portion thereof as you may specify in the acceptance of tender at the prices offered against the said schedule and further agree that this offer will remain valid up to -----and will not be withdrawn or altered in terms of rates quoted and the conditions already stated therein or on before this date. I/We shall be bound by a communication of acceptance to be dispatched within the prescribed time.

2. I/We have understood the instructions to Tenders and General Conditions, Governing Contract in Form No DPP&I-35 (Revised 2017) included in the pamphlet entitled, Government of Pakistan, Military of Defence (Directorate General Defence Purchase) "General Conditions Governing Contracts" and have thoroughly examined the specifications/ drawings and/ or patterns quoted in the schedule hereto and am/are fully aware of the nature of the stores required and my/ our offer is to supply stores strictly in accordance with the requirements.

**Yours faithfully,**

\_\_\_\_\_  
**(Witness's Signatures)**

\_\_\_\_\_  
**(Signature of Tenderer)**